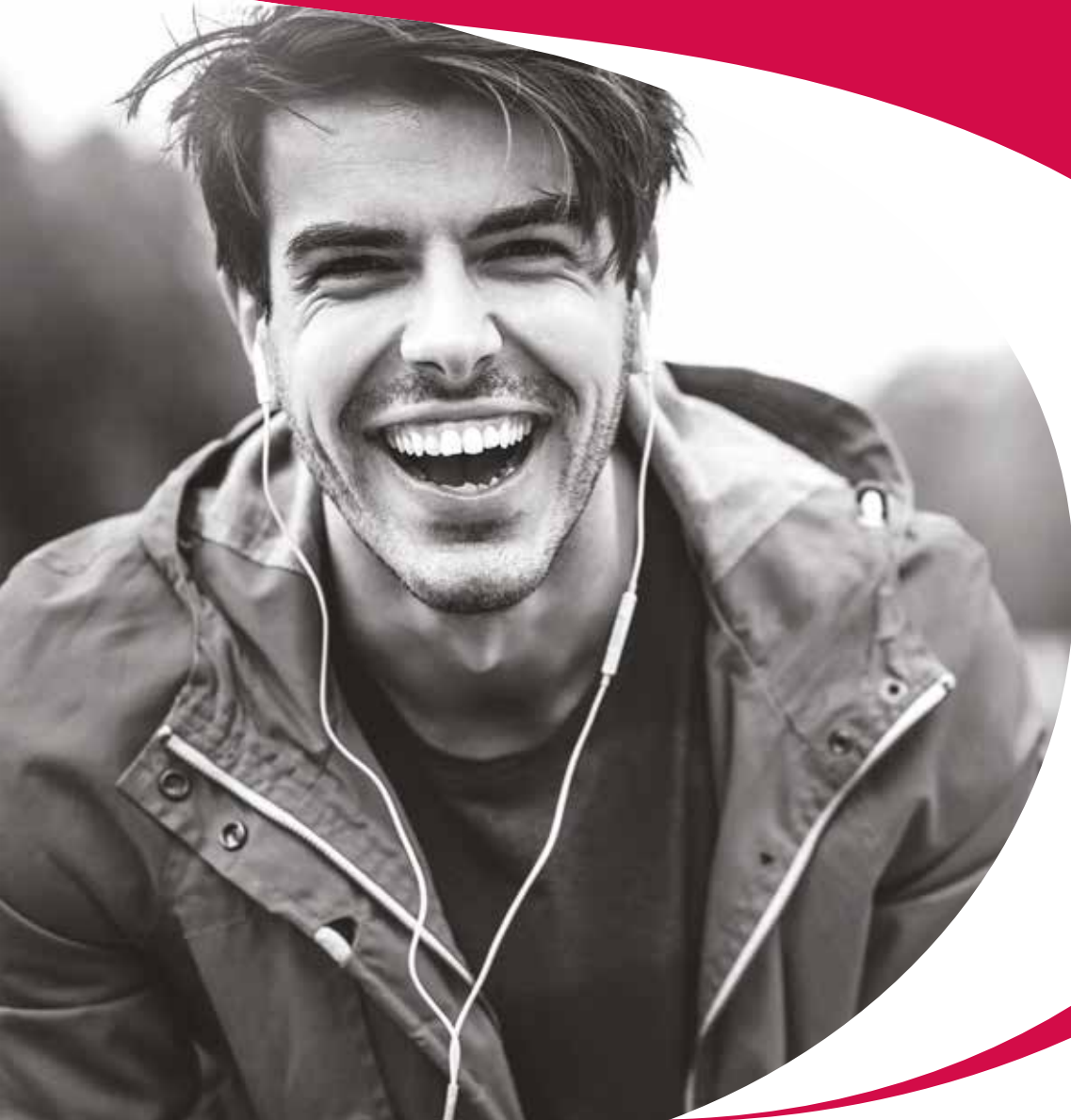




Products Catalog - Oral Maxillofacial & ENT





Products Catalog - Oral Maxillofacial & ENT

As it starts its operations in 2005, in 2015 Razek completes 10 years of existence. Across this period, it became famous for offering a wide range of national solutions, both in electro-mechanical technology equipment, and in single-use products for different segments of Orthopedics - Shoulder, Knee, Hip, Fist, Ankle and ATM Arthroscopy Surgery, several minimally invasive approaches for spine surgery, materials for foot, hand surgery, as well as solutions for neurology and otorhinolaryngology.

The offered product line faced such growth, that required massive investment towards the construction of a new headquarters that would reflect the innovative philosophy of the company and the growth rate.

In the year of the tenth anniversary, the company presents to the market the first line of implantable materials, represented by an extensive range of clamping plates and cannulated screws and/or SnapOff screws for feet, in order to fill a huge gap in national manufacturing scenario.

The construction of the new headquarters, designed with the state-of-the-art engineering concepts and already in finishing stage, the significant expansion of the range of single-use products and release of the first line of implantable materials, mark these 10 years of outstanding service provided to the Brazilian medical community.

Renaldo Massini Junior
CEO

TRIplet HD

The Triplet HD is a device designed to provide a complete solution for arthroscopic surgery, i.e. illuminate, capture and record images, as well as rotate a blade for arthroscopy by means of a motor. The equipment has a touchscreen display, through which the professional visualizes and performs all settings and functions thereof.



Technical Specifications

- Voltage: 100 - 240 V~
- Imaging system: CCD 1/3"
- Video output: connector DVI-D or BNC or Mini-DIN4
- Standard connection for image recording: A-type USB
- Compatible USB flash drive devices
 - File system: FAT32
 - Capacity: up to 16GB
- Image format: 16:9
- Resolution: 1080 lines
- Minimum sensitivity: 0,1 Lux
- Led power: 75W
- Light intensity: 3.600 lumens
- Speed (oscillating mode)
 - Min.: 500 rpm and max.: 3.000 rpm
- Speed (direct and reverse modes)
 - Min.: 500 rpm and max.: 8.000 rpm (shaver handpiece)
 - Min.: 500 rpm and max.: 10.000 rpm (mini shaver handpiece)

Images are for illustration only

SHAVER MIKRO MACHT

Shaver Mikro Macht equipment has the function of rotating a blade for arthroscopy by means of a motor. It is indicated for bone cutting, perforations, insertion, bone thinning in general, orthopedic procedures and debridement.



Technical Specifications

- Voltage: 90 - 240 V~

Images are for illustration only

Shaver Handpiece

- Speed (oscillating mode)
 - Min.: 500 rpm and max.: 3.000 rpm
- Speed (direct and reverse modes)
 - Min.: 500 rpm and max.: 8.000 rpm



Imaging System

The Imaging System, together with the Duet HD and Triplet HD, provides images in surgical endoscopic medical procedures and general diagnostics.

- 19" HD Display - Medical Degree
- Resolution: 1280 x 1024 lines
- Analog and digital video input
- Has dual anti-reflective filter

Images are for illustration only

DUET HD

The Duet HD is an equipment designed to provide light and capture image in surgical endoscopic medical procedures and general diagnostics. The equipment has a touchscreen display, through which the professional visualizes and performs all settings and functions thereof.

Optical
Fiber Cable



Technical Specifications

- Voltage: 100 - 240 V~
- Image System: CCD 1/3"
- Video output: connector DVI-D or BNC or Mini-DIN4
- Standard connection for image recording: A-type USB
- Compatible USB flash drive devices
 - File system: FAT32
 - Resolution: up to 16GB

- Image format: 16:9
- Resolution: 1080 lines
- Minimum sensitivity: 0,1 Lux
- Led power: 75W
- Light intensity: 3.600 lumens

Images are for illustration only

OSTEOMAX

Osteomax is a machine suitable for microshaving of tissue and bone thinning in general. It has a Micro Electric Motor, which must be used with the Power Micro Saws, Power C Drills and Razek HPF Drill. It also allows the connection of a handpiece, which must be used with ENTP Mini Microdebridement Cannula and Mini Handpiece, which is used in conjunction with ENTM Mini Microdebridement Cannula.



Segurança
Equipment certified by INMETRO

Technical Specifications

- Voltage: 100 - 240 V~, 50/60 Hz

Images are for illustration only

Mini Handpiece

- Speed (oscillating mode)
 - Min.: 500 rpm and max.: 3.000 rpm
- Speed (direct and reverse modes)
 - Min.: 500 rpm and max.: 10.000 rpm

Handpiece

- Speed (oscillating mode)
 - Min.: 500 rpm and max.: 3.000 rpm
- Speed (direct and reverse modes)
 - Min.: 500 rpm and max.: 8.000 rpm

Micro Motor

- Speed (direct and reverse modes)
 - Min.: 2.000 rpm and max.: 45.000 rpm

RZ TROCAR and RAZEK ARTHROSCOPY ENDOSCOPES

The purpose of RZ Trocar is conducting and handling the Razek Arthroscopy Endoscopes. More over, it allows fluid irrigation and suctioning and also insufflate cavities and joints. Razek Arthroscopy Endoscopes are medical instruments used to view openings and joints during arthroscopic surgeries. These instruments will be used together with Duet, Triplet or other equipment intended for surgeries that require clear images in order to perform the surgical procedure.

Images are for illustration only



Technical Specifications

Technical Specifications - Razek Arthroscopy Endoscopes

- Diameter: 1,9 mm
- Length: 80 mm
- Angle: 0° or 30°

Technical Specifications - RZ Trocar

- Length: 80 mm
- Angle: 0° or 30°
- Blunt with rhombus-shaped tip

Razek Sterilization Case



RAZEK DISPOSABLE TIP, RAZEK DISSECTOR TIP and RAZEK WAVE ABLATOR

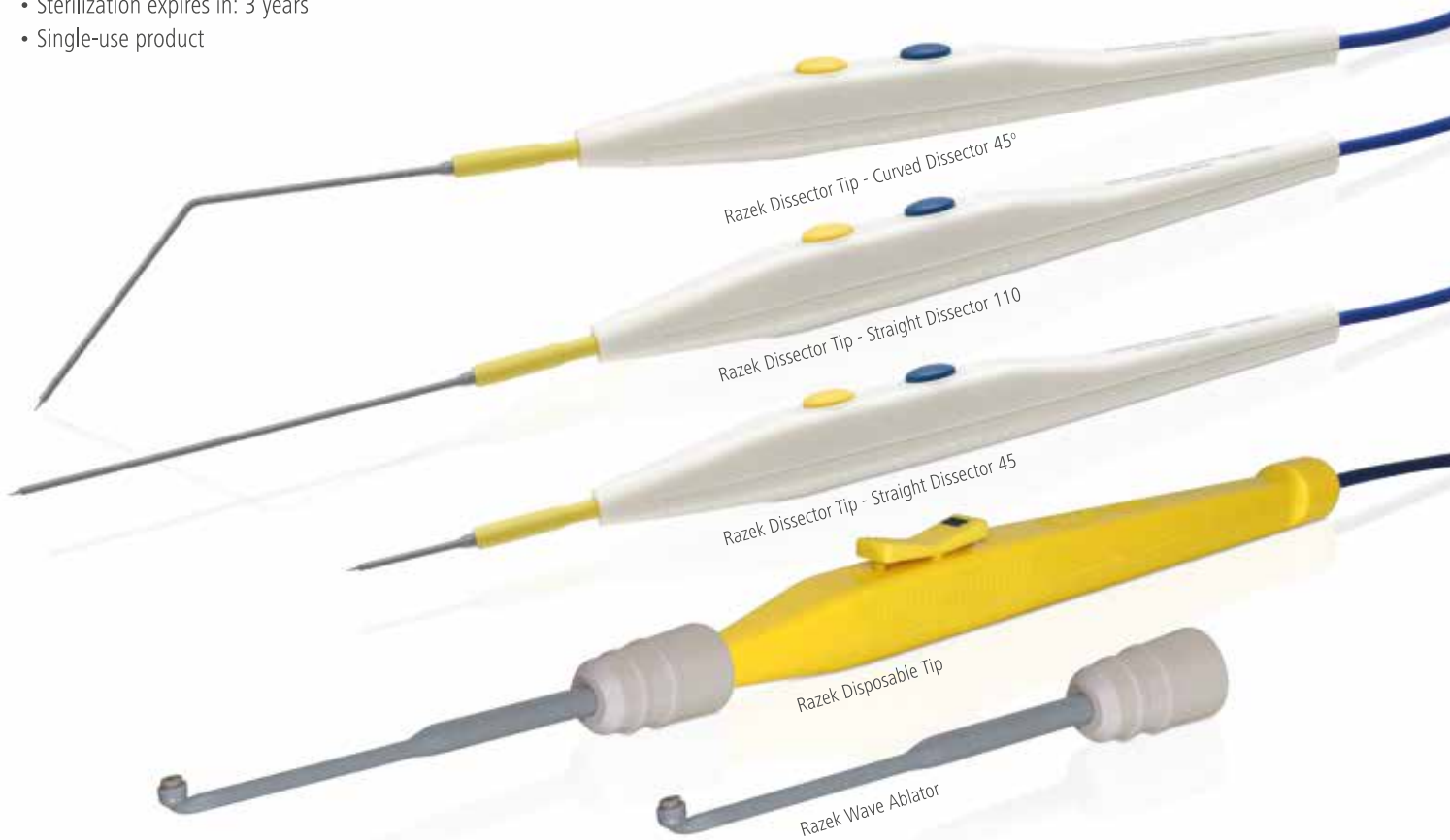
The families of ablaters manufactured by RazeK are used in monopolar arthroscopic surgical procedures. They are indicated for ablation, coagulation and cutting of tissue.

The RazeK Disposable Tip and RazeK Dissector Tip, dispense electro-surgical pen, as it's already part of the product.

Technical Specifications

Images are for illustration only

- Sterilization: gamma ray
- Sterilization expires in: 3 years
- Single-use product



Models - RazeK Wave Ablator and RazeK Disposable Tip

- Shell Mini 0°
- Shell Mini 30°
- Shell Mini 45°
- Shell Mini 60°
- Shell Mini 90°

Models - RazeK Dissector Tip (Straight Dissector)

- Straight Dissector 45 x 3 mm
- Straight Dissector 52 x 3 mm
- Straight Dissector 62 x 3 mm
- Straight Dissector 84 x 3 mm
- Straight Dissector 110 x 3 mm

Models - RazeK Dissector Tip (Curved Dissector 45°)

- Curved Dissector 45° 108 x 3 mm
- Curved Dissector 45° 133 x 3 mm
- Curved Dissector 45° 158 x 3 mm

MINI MICRODEBRIDEMENT CANNULA - ENTP

The Mini Microdebridement Cannula - ENTP is used in otolaryngology procedures, in conjunction with Shaver Handpiece.



Moderate Cartilage
Cutter - **MCC**
(2,2 mm)
(2,5 mm)
(3,5 mm)



Aggressive
Cartilage Cutter - **ACC**
(2,2 mm)
(2,5 mm)
(3,5 mm)



Small Aggressive
Cartilage
Cutter - **ACCS**
(2,2 mm)
(2,5 mm)
(3,5 mm)



Small Moderate
Cartilage
Cutter - **MCCS**
(2,2 mm)
(2,5 mm)
(3,5 mm)



Moderate Detaching
Cutter - **DCM**
(2,2 mm)
(2,5 mm)
(3,5 mm)



Round
Drill Bit - **RB**
(2,5 mm)
(3,5 mm)



Tapered
Drill Bit - **TB**
(2,5 mm)
(3,5 mm)



Oval
Drill Bit - **OB**
(2,5 mm)
(3,5 mm)

Socket



R



A



F



T



L



E



P



W



K

Technical Specifications

- Models: Straight
Inner Angled (AI)
Outer Angled (AO)
- Angulations: 15° and 30°
- Available lengths: 80 and 115 mm

- Sterilization: gamma ray
- Sterilization expires in: 3 years
- Single-use product

Images are for illustration only

MINI MICRODEBRIDEMENT CANNULA - ENTM

The Mini Microdebridement Cannula - ENTM is used in otolaryngology procedures, in conjunction with Mini Handpiece.



Moderate Cartilage
Cutter - **MCC**
(2,2 mm)
(2,5 mm)
(3,5 mm)



Aggressive Cartilage
Cutter - **ACC**
(2,2 mm)
(2,5 mm)
(3,5 mm)



Small Aggressive
Cartilage
Cutter - **ACCS**
(2,2 mm)
(2,5 mm)
(3,5 mm)



Small Moderate
Cartilage
Cutter - **MCCS**
(2,2 mm)
(2,5 mm)
(3,5 mm)



Moderate Detaching
Cutter - **DCM**
(2,2 mm)
(2,5 mm)
(3,5 mm)



Round
Drill Bit - **RB**
(2,5 mm)
(3,5 mm)



Tapered
Drill Bit - **BA**
(2,5 mm)
(3,5 mm)



Oval
Drill Bit - **OB**
(2,5 mm)
(3,5 mm)

Technical Specifications

- Models: Straight
Inner Angled (AI)
Outer Angled (AO)
- Angulations: 15° and 30°
- Available lengths: 80 and 115 mm

- Sterilization: gamma ray
- Sterilization expires in: 3 years
- Single-use product

Images are for illustration only

TMJ ARTHROSCOPIC CANNULA SET II - 001

The TMJ Arthroscopic Cannula Set II - 001, together with the shaver equipment and the Thera Lase Surgery equipment is intended to provide a minimally invasive surgical method for the temporomandibular joint.

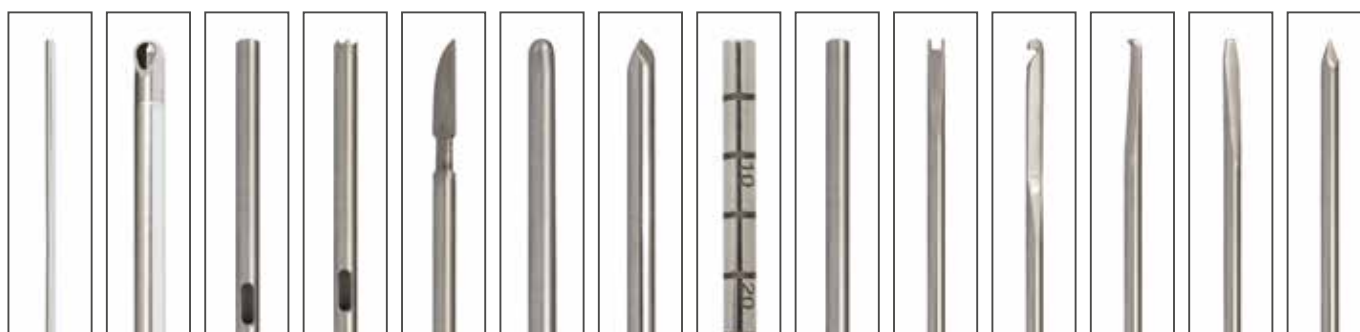
Images are for illustration only



Jaw Spacer Size S and L



Tip



RAZEK HPF DRILL, HPF DIAMOND BURR and HPF SURGICAL CUTTER

The Razek HPF Drill together with the HPF Diamond Burr and HPF Surgical Cutter has the function to perform bone roughing, finishing and polishing in ORL procedures.

Images are for illustration only

Technical Specifications

Razek HPF Drill

- Maximum speed motor: 25.000 rpm

Models

- Razek HPF Mikro Macht Drill
This model presents e-type socket.
- Razek HPF Power Drill
This model presents power socket.

HPF Diamond Bur

- Sterilization: gamma ray
- Sterilization expires in: 3 years

Model - BHC

- Length available: 168 (mm)
- Socket available: B
- Diameters available: 2,5 | 2,7 | 3,0 | 3,5 | 4,0 | 4,5 | 5,0 | 5,5 | 6,0 | 6,5 | 7,0 | 7,5 | 8,0 (mm)
- Granulations available: G90 | G110



BHC



BRD



BCR

Technical Specifications

Razek Surgical HPF

- Sterilization: gamma ray
- Sterilization expires in: 3 years

Models - BRD and BCR

- Length available: 168 (mm)
- Socket available: B
- Diameters available BRD: 0,6 | 0,7 | 0,8 | 1,0 | 1,4 | 1,8 | 2,3 | 2,7 | 3,1 | 3,5 | 4,0 | 4,5 | 5,0 | 6,0 | 7,0 (mm)
- Diameters available BCR: 1,0 | 1,4 | 1,8 | 2,3 | 2,7 | 3,1 | 3,5 | 4,0 | 4,5 | 5,0 | 6,0 | 7,0 (mm)

VULCAN

Vulcan is indicated for bone cuts, perforations, insertions and bone thinning in general. It has a Micro Electric Motor, which is used with the Power Micro Saws, Power C Drills and Razeq HPF Drill. It also allows the connection of a Mini Shaver Handpiece, which is used in conjunction with Mini Microdebridement Cannula - ENTM.



Technical Specifications

- Voltage: 90 - 240 V~

Micro Electric Motor

- Minimum speed: 2.000 rpm
- Maximum speed: 45.000 rpm

Mini Handpiece

- Minimum speed: 500 rpm
- Maximum speed: 10.000 rpm

Images are for illustration only

Segurança



Equipment certified by INMETRO

POWER MICRO SAWS

The Power Micro Saws, with Vulcan equipment, are used in oral maxillofacial surgeries.



Sagittal Power
Micro Saw

Oscillating Power
Micro Saw

Reciprocating Power
Micro Saw

Technical Specifications

- Power socket system
- It must be used along with Razek Micro Saw Blades

Images are for illustration only

POWER C DRILLS

The Power C Drills with Vulcan equipment, are used in oral maxillofacial surgeries.



Technical Specifications

- Power socket system
- It must be used along with Razeq Surgical Drills or Razeq Diamond Burrs
- Maximum speed: 30.000 rpm

Images are for illustration only

RAZEK SURGICAL BURRS and RAZEK DIAMOND BURRS

• BRD Models

Round Drills intended for bone cutting and mild finishing.

Handle Length: 44,5 - 55 - 70 - 95 - 125 - 150 - 180 (mm)

Socket: R - H - T - J - O - S - A - L - D - U - X

Drill Diameter: 0,6 - 0,7 - 0,8 - 1,0 - 1,4 - 1,8 - 2,3 - 2,7 - 3,1 - 3,5 - 4,0 - 4,5 - 5,0 - 6,0 - 7,0 (mm)



• BCR Models

Quick cutting round Drills intended to remove bone in large amounts.

Handle Length: 44,5 - 55 - 70 - 115 - 150 - 180 (mm)

Socket: R - H - T - J - O - S - A - L - D - U - X

Drill Diameter: 1,0 - 1,4 - 1,8 - 2,3 - 2,7 - 3,1 - 3,5 - 4,0 - 4,5 - 5,0 - 6,0 - 7,0 (mm)



• RAZ Models

Lateral bone cutting drills.

Handle Length: 44,5 - 55 - 70 - 95 - 115 - 125 - 150 - 180 (mm)

Socket: R - H - T - J - O - S - A - L - D - U - X

Drill Diameter: 1,5 - 1,8 - 2,1 - 2,5 (mm)



• FRL Models

Laminated Drills for bone smoothing.

Handle Length: 44,5 - 55 - 70 - 95 - 125 - 150 - 180 (mm)

Socket: R - H - T - J - O - S - A - L - D - U - X

Drill Diameter: 5,0 - 7,0 (mm)



• BCL Models

Lateral bone cutting drills.

Handle Length: 44,5 - 55 - 70 - 95 - 125 - 150 - 180 (mm)

Socket: R - H - T - J - O - S - A - L - D - U - X

Drill Diameter: 2,1 (mm)



• FAD Models

Drills for extensive bone scraping.

Handle Length: 44,5 - 55 - 70 - 95 - 125 - 150 - 180 (mm)

Socket: R - H - T - J - O - S - A - L - D - U - X

Drill Diameter: 5,0 - 7,0 (mm)



• ENT Models

Cone-shaped drill used to smooth orifices.

Handle Length: 44,5 - 55 - 70 - 95 - 150 - 180 (mm)

Socket: R - H - T - J - O - S - A - L - D - U - X

Drill Diameter: 4,0 - 4,5 - 6,0 (mm)



• BP Models

Drills to perforate bone for subsequent insertion of plates and screws.

Handle Length: 44,5 - 55 - 70 - 95 - 110 - 115 - 120 - 125 - 150 - 155 - 180 (mm)

Socket: R - H - T - J - O - S - A - L - D - U - X

Drill Diameter: 0,9 - 1,0 - 1,1 - 1,2 - 1,3 - 1,4 - 1,5 - 1,6 - 1,7 - 1,8 - 1,9 - 2,0 - 2,1 - 2,2 - 2,3 - 2,7 - 3,2 - 3,5 (mm)



• BHC Models

Diamond-shaped drill bits intended for bone smoothing and polishing.

Handle Length: 44,5 - 55 - 70 - 95 - 125 - 150 - 180 (mm)

Socket: R - H - T - J - O - S - A - L - D - U - X - Q

Drill Diameter: 0,6 - 0,7 - 0,8 - 1,0 - 1,4 - 1,5 - 1,8 - 2,0 - 2,3 - 2,5 - 2,7 - 3,0 - 3,1 - 3,5 - 4,0 - 4,5 - 5,0 - 5,5 - 6,0 (mm)



Images are for illustration only

Sockets



R

H

T

J

O

S

A

L

D

U

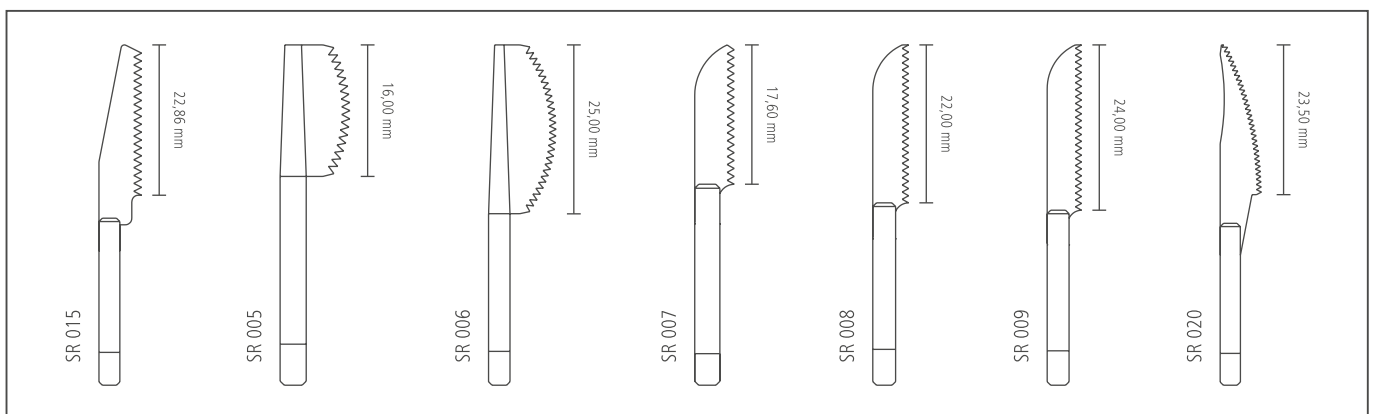
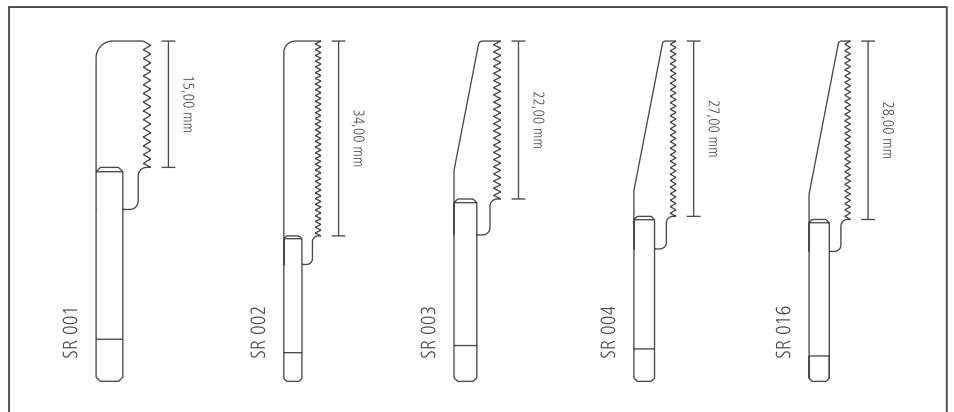
X

E

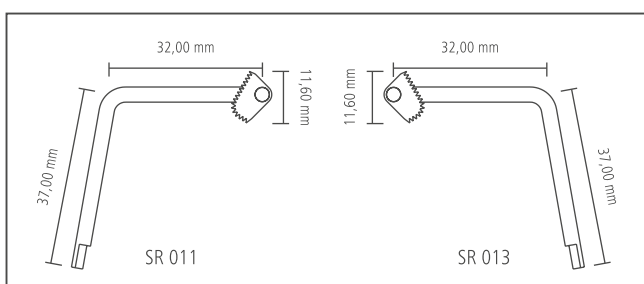
RAZEK MICRO SAW BLADES

The Razek Micro Saw Blades are used in oral maxillofacial surgeries with the Micro Power Saw.

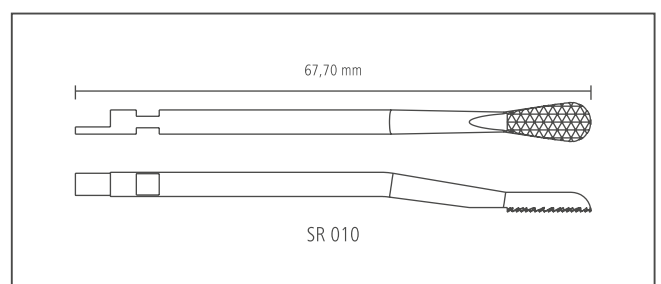
Models SR (Reciprocating)



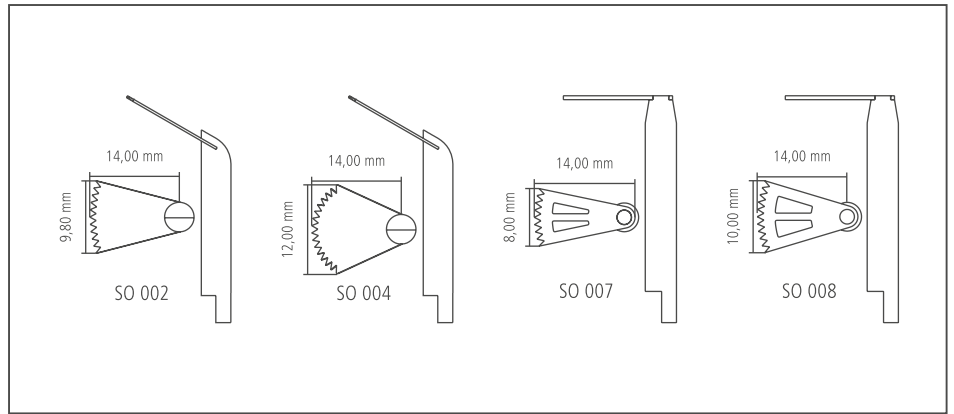
Models SR (Basal)



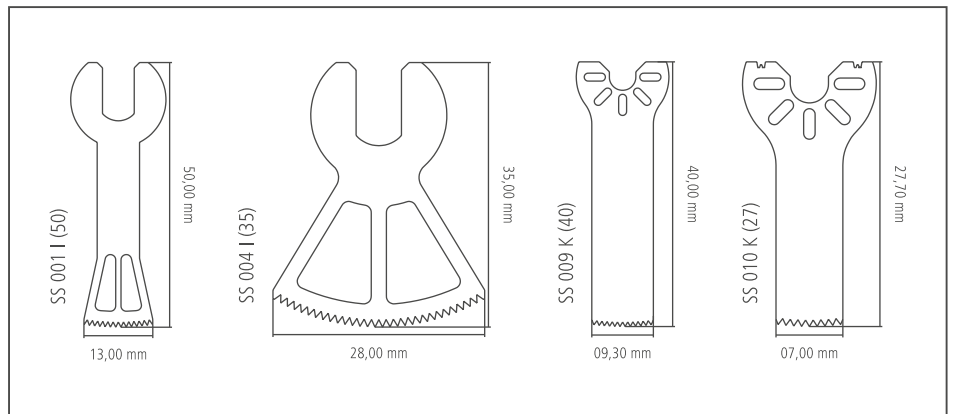
Models SR (Scraper)



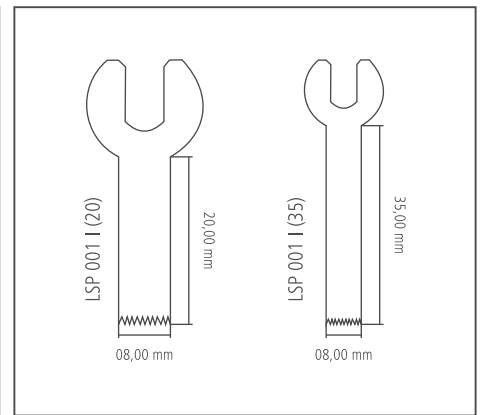
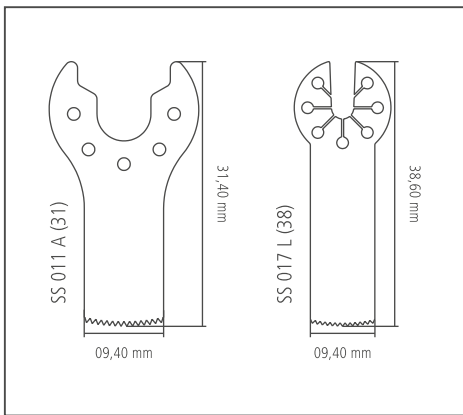
Models SO



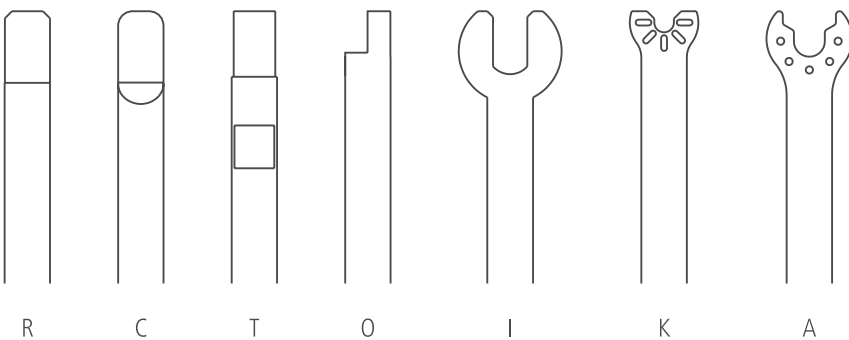
Models SS



Models LSP



Sockets



Technical Specifications

- Sterilization: gamma ray
- Sterilization expires in: 3 years

Images are for illustration only

MANUAL IRRIGATION CANNULA KIT

The Manual Irrigation Cannula Kit is a device designed to provide joint distension and irrigation, aiming visibility and ease of handling of the instrumentation in arthroscopic surgical procedures of small joints.



Technical Specifications

- Syringe 60 mL
- Sterilization: ethylene oxide
- Sterilization expires in: 2 years
- Single-use product

Images are for illustration only

Mini Suction Dissector

It has the function to perform ablation and coagulation of tissues with concomitant aspiration in surgical procedures.

Models

- 80 x 0°
- 80 x 15°
- 110 x 0°
- 110 x 15°
- 150 x 0°
- 150 x 15°

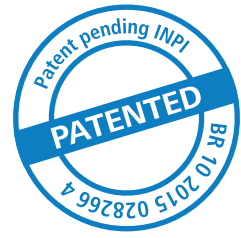


Technical Specifications

- Sterilization: gamma ray
- Sterilization expires in: 3 years
- Single-use product

Images are for illustration only

PRC ENDONASAL ENDOSCOPIC KIT

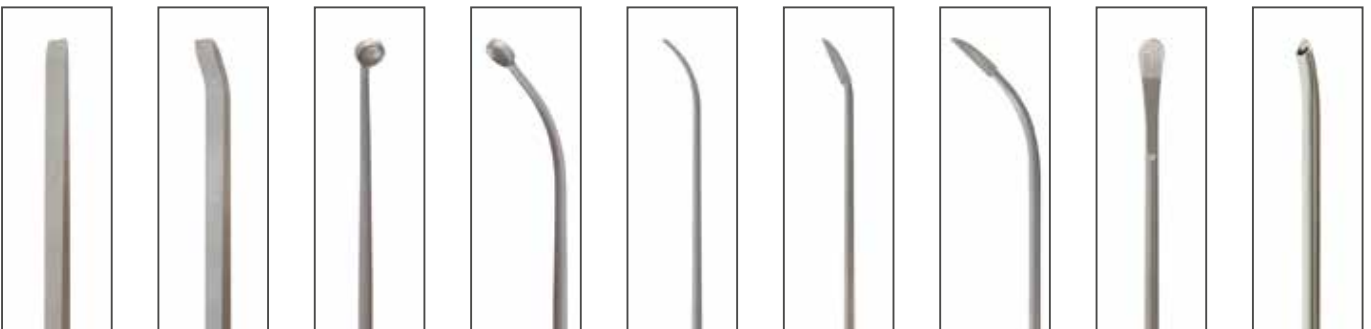


The PRC Endonasal Endoscopic Kit aims to provide to the surgeon the necessary instruments to perform endonasal endoscopic surgical procedures.

The extending tube is not part of the product.



Tip



PRC ENDONASAL ASPIRATOR

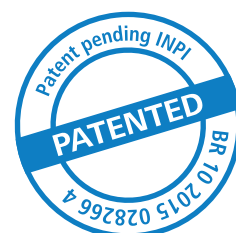
The PRC Endonasal Aspirator is a device designed to enable the continuous suction of blood and surgical fluids during surgical otolaryngology procedures without obstructing the surgeon's view.



Technical Specifications

- Sterilization: gamma ray
- Sterilization expires in: 3 years
- Single-use product

Images are for illustration only



PRC ENDONASAL DISSECTION KIT

The PRC Endonasal Dissection Kit aims to provide the surgeon with the necessary tools to perform otolaryngology surgical procedures.



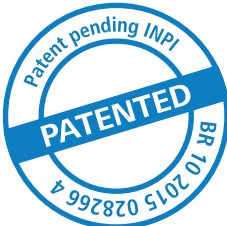
Technical Specifications

- Sterilization: gamma ray
- Sterilization expires in: 3 years
- Single-use product

Images are for illustration only

PRC Endonasal Dissection Kit Items:

- RD001 (Single-acting straight scissors with spherical protection with simple handle)
- RD003 (Maryland forceps with Ratchet handle)
- Nasal Specula



PRC ENDONASAL DISSECTION KIT PLUS

The PRC Endonasal Dissection Kit Plus aims to provide the surgeon with the necessary tools to perform otolaryngology surgical procedures.



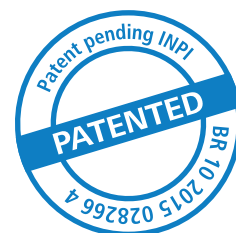
Technical Specifications

- Sterilization: gamma ray
- Sterilization expires in: 3 years
- Single-use product

Images are for illustration only

PRC Endonasal Dissection Kit Items:

- RD001 (Single-acting straight scissors with spherical protection with simple handle)
- RD003 (Maryland forceps with Ratchet handle)
- RD005 (Double-acting straight scissors with simple handle)
- Nasal Specula
- Endonasal Aspirator



PRC ENDONASAL IRRIGATION AND ASPIRATION CANNULA

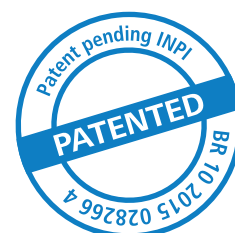
The PRC Endonasal Irrigation and Aspiration Cannula is a device designed to provide irrigation and aspiration, aiming visibility and ease of handling of the instrumentation in otolaryngology procedures.



Technical Specifications

- Inner diameter 4 mm
- Sterilization: ethylene oxide
- Sterilization expires in: 2 years
- Single-use product

Images are for illustration only



ACT BIMAXILAR TEMPORARY STABILIZER KIT

The ACT Bimaxilar Temporary Stabilizer Kit is a device used to enable the intraoperative maxillomandibular immobilization.



Technical Specifications

- Sterilization: gamma ray
- Sterilization expires in: 3 years
- Single-use product

ACT Bimaxilar Temporary Stabilizer Kit Items:

- 8 mm screws (5 units)
- 10 mm screws (5 units)
- Key (1 unit)
- AB Arc (1 unit)
- BA Arc (1 unit)

Images are for illustration only



ACT SUCTION ELECTRODE

The ACT Suction Electrode is used to perform simultaneous ablation, coagulation, cutting, and aspiration of tissue in surgical procedures.



Technical Specifications

- Sterilization: ethylene oxide
- Sterilization expires in: 2 years
- Power in the radiofrequency generator: 60 W

Images are for illustration only



www.razek.com.br
+55 16 2107.2345