



Products Catalog - Trauma





Products Catalog - Trauma

As it starts its operations in 2005, in 2015 Razek completes 10 years of existence. Across this period, it became famous for offering a wide range of national solutions, both in electro-mechanical technology equipment, and in single-use products for different segments of Orthopedics - Shoulder, Knee, Hip, Fist, Ankle and ATM Arthroscopy Surgery, several minimally invasive approaches for spine surgery, materials for foot, hand surgery, as well as solutions for neurology and otorhinolaryngology.

The offered product line faced such growth, that required massive investment towards the construction of a new headquarters that would reflect the innovative philosophy of the company and the growth rate.

In the year of the tenth anniversary, the company presents to the market the first line of implantable materials, represented by an extensive range of clamping plates and cannulated screws and/or SnapOff screws for feet, in order to fill a huge gap in national manufacturing scenario.

The construction of the new headquarters, designed with the state-of-the-art engineering concepts and already in finishing stage, the significant expansion of the range of single-use products and release of the first line of implantable materials, mark these 10 years of outstanding service provided to the Brazilian medical community.

Renaldo Massini Junior
CEO

RZ FEET RIGID PLATES SYSTEM

The RZ Feet Rigid Plates System was developed for trauma, osteotomy and arthrodesis procedures in the various regions of the foot.

The plates have anatomical geometry and low profile, which eliminates the need for conformation, facilitates the surgical procedure, minimizes prominence and gives patients a greater comfort. In addition, they are presented in different sizes and different orientations, in order to adapt the different anatomies of patients. Its locked and compression holes are positioned strategically, providing maximum fixing stability, even in complex cases.

Images are for illustration only

Plate Features

- Made of ASTM F136 / NBR ISO 5832-3 titanium alloy and anodized
- Anatomic contour and low profile, reducing prominence and minimizing soft tissue irritation;
- Compatible with all locking and non-locking bolt models;
- They have three orientations (right, left, and single), identified through color-coding: **Right** → anodized in golden color
Left → anodized in pink color
Single → anodized in green color
- Osteotomy plates are anodized in aqua color.

Locking and Non-locking Bolts

- Made of titanium alloy
- Not cannulated
- Screw with self-tapping thread
- Screw with hexalobular socket

Locking Bolts

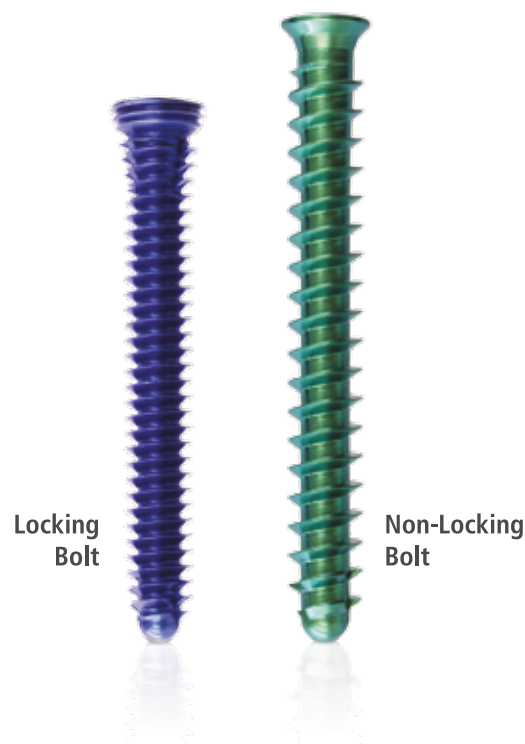
Designed to be used in blocked holes. Their thread is specially designed for attachment to the cortical portion of the bone.

Shaft	Distal Thread (Diameter)	Proximal Thread (Diameter)	Proximal Thread (Length)	Size
2,2 mm	3,5 mm	5,1 mm	1,7 mm	8 to 50 mm

Non-locking Bolts

Designed to be used in blocked or compression holes. Their thread is specially designed for attachment to the cortical spongy portion of the bone.

Shaft	Distal Thread (Diameter)	Head Diameter	Head Length	Size
1,6 mm	2,7 mm	4,8 mm	1,7 mm	8 to 30 mm
2,4 mm	3,5 mm			8 to 50 mm
2,6 mm	4,0 mm			8 to 60 mm



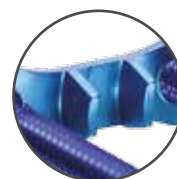
Osteotomy Plate of Cotton and Evans - OTC

Used in procedures for correction of pes planus (also called flat feet of fallen arches), through wedge osteotomies in the calcaneus (Evans) and medial cuneiform (Cotton).

- Color: aqua
- Width: 1,5 mm
- Wedge spacing variations: 2, 4, 5, 6, 7, 8, 10 and 12 (mm)

Models

- Osteotomy of Cotton and Evans - 2 Holes - 23 x 2 mm
- Osteotomy of Cotton and Evans - 2 Holes - 25 x 4 mm
- Osteotomy of Cotton and Evans - 2 Holes - 26 x 5 mm
- Osteotomy of Cotton and Evans - 2 Holes - 27 x 6 mm
- Osteotomy of Cotton and Evans - 2 Holes - 28 x 7 mm
- Osteotomy of Cotton and Evans - 2 Holes - 29 x 8 mm
- Osteotomy of Cotton and Evans - 2 Holes - 31 x 10 mm
- Osteotomy of Cotton and Evans - 2 Holes - 33 x 12 mm



Wedge Details



Osteotomy Plate for Bunion - OTB

Used in procedures for correction of Hallux Valgus, through wedge osteotomies at the base of the first metatarsus.

- Color: aqua
- Width: 1,5 mm
- Wedge spacing variations: 2, 3, 4, 5 and 6 (mm)

Models

- Osteotomy for Bunion 4 Holes 32 x 2 mm
- Osteotomy for Bunion 4 Holes 33 x 3 mm
- Osteotomy for Bunion 4 Holes 34 x 4 mm
- Osteotomy for Bunion 4 Holes 35 x 5 mm
- Osteotomy for Bunion 4 Holes 36 x 6 mm



Wedge Details



Osteotomy Plate for Heel - OIC

Used in procedures for correction of hindfoot valgus, through sliding osteotomy in the calcaneus.

- Color: aqua
- Width: 1,8 mm
- Wedge spacing variations: 6, 8 and 10 (mm)

Models

- Osteotomy Plate for Heel 5 Holes 24 x 6 mm
- Osteotomy Plate for Heel 5 Holes 24 x 8 mm
- Osteotomy Plate for Heel 5 Holes 24 x 10 mm



Tarsometatarsal Combination Plate - TMT

Used in Lisfranc fracture treatment procedures, through combinations of the tarsal and metatarsal bones.

- Color: golden (right) and pink (left)
- Width: 1,4 mm
- Plate size: P and M
- Direction: right and left
- Insertion in the metatarsals: 1st and 2nd - 2nd and 3rd
- Geometry: curved and flat

Models

- Tarsometatarsal Combination Plate 12 Curved 4 Holes Left 36 mm
- Tarsometatarsal Combination Plate 12 Curved 4 Holes Right 36 mm
- Tarsometatarsal Combination Plate 12 Curved 4 Holes Left 41 mm
- Tarsometatarsal Combination Plate 12 Curved 4 Holes Right 41 mm
- Tarsometatarsal Combination Plate 12 Flat 4 Holes Left 36 mm
- Tarsometatarsal Combination Plate 12 Flat 4 Holes Right 36 mm
- Tarsometatarsal Combination Plate 12 Flat 4 Holes Left 41 mm
- Tarsometatarsal Combination Plate 12 Flat 4 Holes Right 41 mm

Notes: Tarsometatarsal Combination Plate 1st and 2nd

- Tarsometatarsal Combination Plate 23 Curved 4 Holes Left 35 mm
- Tarsometatarsal Combination Plate 23 Curved 4 Holes Right 35 mm
- Tarsometatarsal Combination Plate 23 Curved 4 Holes Left 38 mm
- Tarsometatarsal Combination Plate 23 Curved 4 Holes Right 38 mm
- Tarsometatarsal Combination Plate 23 Flat 4 Holes Left 35 mm
- Tarsometatarsal Combination Plate 23 Flat 4 Holes Right 35 mm
- Tarsometatarsal Combination Plate 23 Flat 4 Holes Left 38 mm
- Tarsometatarsal Combination Plate 23 Flat 4 Holes Right 38 mm

Notes: Tarsometatarsal Combination Plate 2nd and 3rd



Metatarsophalangeal Combination Plate - MTP

Used in procedures for treatment of Hallux Rigidus, by combination of the first metatarsophalangeal joint.

- Color: golden (right) and pink (left)
- Width: 1,4 mm
- Plate size: S and M
- Direction: right and left

Models

- Metatarsophalangeal Combination Plate 6 Holes Right 45 mm
- Metatarsophalangeal Combination Plate 6 Holes Left 45 mm
- Metatarsophalangeal Combination Plate 6 Holes Right 50 mm
- Metatarsophalangeal Combination Plate 6 Holes Left 50 mm



Combination Plate for Cuneiform Metatarsus - MTC

Used in bone combination procedures medial cuneiform and first metatarsus.

- Color: golden (right) and pink (left)
- Width: 1,4 mm
- Plate size: S and M
- Direction: right and left

Models

- Cuneiform Metatarsus Combination Plate 5 Holes Right 39 mm
- Cuneiform Metatarsus Combination Plate 5 Holes Left 39 mm
- Cuneiform Metatarsus Combination Plate 5 Holes Right 42 mm
- Cuneiform Metatarsus Combination Plate 5 Holes Left 42 mm



Medial Columnar Combination Plate - MCF

Used in treatment for the foot of Charcot, through the combination of navicular bones, cuneiform medial and first metatarsus.

- Color: dourada (direita) e rosa (esquerda)
- Width: 1,4 mm
- Plate size: S and M
- Direction: right and left

Models

- Medial Columnar Combination Plate 9 Holes Right 61 mm
- Medial Columnar Combination Plate 9 Holes Left 61 mm
- Medial Columnar Combination Plate 9 Holes Right 66 mm
- PMedial Columnar Combination Plate 9 Holes Left 66 mm



Universal Single Plate - PSU

Used in a variety of bone fracture and combination procedures.

- Color: aqua (single)
- Width: 1,4 mm
- Plate size: S, M, and L
- Number of holes: 2 and 3
- Form of stabilization: compression and fixation

Models

- Universal Single Plate Compression 2 Holes 21 mm
- Universal Single Plate Compression 2 Holes 29 mm
- Universal Single Plate Fixing 2 Holes 27 mm
- Universal Single Plate Compression 3 Holes 36 mm
- Universal Single Plate Compression 2 Holes 37 mm



Y Universal Plate - PCY

Used in a variety of bone fracture and combination procedures.

- Color: golden (right) and pink (left)
- Width: 1,4 mm
- Plate size: S and M
- Direction: right and left

Models

- Y Universal Plate 4 Holes Right 37 mm
- Y Universal Plate 4 Holes Left 37 mm
- Y Universal Plate 4 Holes Right 53 mm
- Y Universal Plate 4 Holes Left 53 mm



Posterior Heel Plate - PPC

Used in procedures to treat fractures in the calcaneus.

- Color: golden (right) and pink (left)
- Width: minimum 1,4 mm and maximum 2,3 mm
- Plate size: S, M, and L
- Direction: right and left

Models

- Posterior Heel Plate 13 Holes Left 59 mm
- Posterior Heel Plate 13 Holes Right 59 mm
- Posterior Heel Plate 13 Holes Left 70 mm
- Posterior Heel Plate 13 Holes Right 70 mm
- Posterior Heel Plate 14 Holes Left 80 mm
- Posterior Heel Plate 14 Holes Right 80 mm



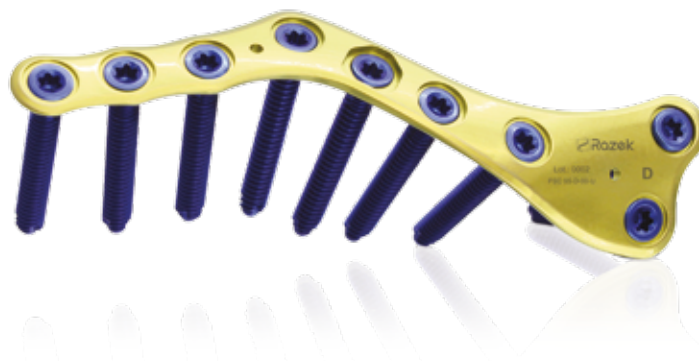
Posterior Single Heel Plate - PSC

Used in procedures to treat fractures in the calcaneus, through a percutaneous approach.

- Color: golden (right) and pink (left)
- Width: minimum 1,4 mm and maximum 2,3 mm
- Plate size: S, M, and L
- Direction: right and left

Models

- Posterior Single Heel Plate 8 Holes Left 59 mm
- Posterior Single Heel Plate 8 Holes Right 59 mm
- Posterior Single Heel Plate 8 Holes Left 70 mm
- Posterior Single Heel Plate 8 Holes Right 70 mm
- Posterior Single Heel Plate 9 Holes Left 80 mm
- Posterior Single Heel Plate 9 Holes Right 80 mm



Universal Double Plate - PCU

Used in a variety of bone fracture and combination procedures.

- Color: aqua (single), golden (right) and pink (left)
- Width:
 - PCU 00-A-14-U / PCU 00-A-11-U / PCU 00-A-08-U
1,8 mm (flaps) and 2,3 mm (body)
 - Other plates: 1,8 mm
- Direction: single, right and left
- Number of holes: 4, 5, 6, 7, 8, 11 and 14

Models

- Universal Double Plate 4 Holes Right 29 mm
- Universal Double Plate 4 Holes Left 29 mm
- Universal Double Plate 5 Holes Right 35 mm
- Universal Double Plate 5 Holes Left 35 mm
- Universal Double Plate 6 Holes Right 48 mm
- Universal Double Plate 6 Holes Left 48 mm
- Universal Double Plate 7 Holes 60 mm
- Universal Double Plate 8 Holes 66 mm
- Universal Double Plate 11 Holes 94 mm
- Universal Double Plate 14 Holes 122 mm



FEET RZ TRAUMA INSTRUMENT SET

Provides the surgeon with the necessary instruments for the implantation of the items destined to the treatment of traumas of the System of Rigid Fixing Plates Feet RZ. Each item was developed for a specific purpose during surgery. The kit consists of the following items:

Instruments

- Solid Hexalobular 10 Screw Driver 70 mm
- Bone Burr 2,7 mm
- Bone Burr 3,5 mm
- Bone Burr 4,0 mm
- Drilling Guide with Scale 2,7 mm
- Drilling Guide with Scale 3,5 mm
- Drilling Guide with Scale 4,0 mm
- Polyaxial Drilling Guide 2,7 mm
- Polyaxial Drilling Guide 3,5 mm
- Polyaxial Drilling Guide 4,0 mm
- Drilling Guide with Cable 2,7 mm
- Drilling Guide with Cable 3,5 mm
- Drilling Guide with Cable 4,0 mm
- Straight Drilling Guide 2,7 mm
- Straight Drilling Guide 3,5 mm
- Straight Drilling Guide 4,0 mm
- Quick Coupling Cable 4,5mm
- Quick Coupling Driver T Cable 4,5 mm
- Plate Shaper (2 units)
- Depth Gauge 70 mm
- Freer Paddle
- Periosteal Detacher 7 mm
- Strong Single Gilles Hook
- Backaus Reduction Forceps with Rack 13 cm
- Bone Fixation Clamp Forceps (Spanish)
- Adson Forceps with Knurl
- Adson Forceps with Tooth (1x2)
- Hohmann Fine-Tipped Spreader for Bone Surgery - n° 03
- Hohmann Fine-Tipped Spreader for Bone Surgery - n° 01
- Weitlaner Autostatic Spreader with teeth Rhombus - 14 cm 2x3 teeth
- Bruns Bone Curet n° 0
- Bruns Bone Curet n° 3
- Positioner Pin Ø 4,5 mm
- Quick Hitch Chuck Guides

Guides

- Posterior Single Heel Guide Plate 05-D
- Posterior Single Heel Guide Plate 05-E
- Posterior Single Heel Guide Plate 50-D
- Posterior Single Heel Guide Plate 50-E
- Posterior Single Heel Guide Plate 95-D
- Posterior Single Heel Guide Plate 95-E
- Guide Lock Posterior Single Heel Plate
- Guide Spreader Posterior Single Plate Heel Box

Box

- Sterilization Box Instrument Kit Feet RZ Trauma

FEET RZ OSTEOTOMY AND ARTHRODESIS INSTRUMENT SET

Provides the surgeon with the instruments necessary for the implantation of the items destined to the accomplishment of osteotomies and arthrodesis of the RZ Feet Rigid Plates System. Each item was developed for a specific purpose during surgery. The kit consists of the following items:

Instruments

- Solid Hexalobular 10 Screw Driver 70 mm
- Bone Burr 2,7 mm
- Bone Burr 3,5 mm
- Bone Burr 4,0 mm
- Drilling Guide with Scale 2,7 mm
- Drilling Guide with Scale 3,5 mm
- Drilling Guide with Scale 4,0 mm
- Polyaxial Drilling Guide 2,7 mm
- Polyaxial Drilling Guide 3,5 mm
- Polyaxial Drilling Guide 4,0 mm
- Drilling Guide with Cable 2,7 mm
- Drilling Guide with Cable 3,5 mm
- Drilling Guide with Cable 4,0 mm
- Straight Drilling Guide 2,7 mm
- Straight Drilling Guide 3,5 mm
- Straight Drilling Guide 4,0 mm
- Quick Coupling Cable 4,5 mm
- Quick Coupling Driver T Cable T 4,5 mm
- Plate Shaper (2 units)
- Depth Gauge 70 mm
- Freer Paddle
- Periosteal Detacher 7 mm
- Strong Single Gilles Hook
- Backaus Reduction Forceps with Rack 13 cm
- Bone Fixation Clamp Forceps (Spanish)
- Adson Forceps with Knurl
- Adson Forceps with tooth 1x2
- Hohmann Fine-Tipped Spreader for Bone Surgery - n° 03
- Hohmann Fine-Tipped Spreader for Bone Surgery - n° 01
- Weitlaner Autostatic Spreader with teeth Rhombus - 14 cm 2x3 teeth
- Bruns Bone Curet n° 0
- Bruns Bone Curet n° 3
- Metatarsal Elevator
- Spacer for Osteotomy
- Osteotome for Finishing
- Osteotome for Edging
- Spacing Meter for Osteotomy
- Joint Retractor
- Metatarsal Reamer 16 mm
- Metatarsal Reamer 18 mm
- Metatarsal Reamer 20 mm
- Metatarsal Reamer 22 mm
- Falangeal Reamer 16 mm
- Falangeal Reamer 18 mm
- Falangeal Reamer 20 mm
- Falangeal Reamer 22 mm
- Quick Hitch Chuck

Templates

- Osteotomy Template of Cotton and Evans
- Osteotomy Template for Bunion - A
- Osteotomy Template for Bunion - B
- TOsteotomy Template for Heel

Box

- Sterilization Box Instrument Kit Feet RZ Osteotomy and Arthrodesis

NitFix RAZEK

Developed for fixation and stabilization of the bones of the upper and lower extremities, and thanks to its specific geometries, the NitFix RazeK allows the surgeon to perform the bone consolidation of the fragments, in the correct anatomical position. It is an implantable component that provides a means of osteosynthesis in the treatment of fractures, osteotomies and arthrodesis.



Clamp Features

- Made of Superelastic Nitinol Alloy BB (ASTM F2063)
- Elastic properties at room temperature
- Several sizes to fit the different anatomical structures

- Low profile design, reducing soft tissue irritation
- Constant bone compression after implantation

Images are for illustration only

RAZEK MM CANNULATED COMPRESSION SCREW and RAZEK PG CANNULATED COMPRESSION SCREW

The family of Razek Cannulated Compression Screw is composed of osteosynthesis screws with non-rigid fixing feature characteristics. Screws are cannulated and non-resorbable.

Images are for illustration only



Razek MM Cannulated Compression Screw:
used in fractures with mini and micro fragments



Razek PG Cannulated Compression Screw:
used in fractures with small and large fragments

Instrument Kit for Razek Cannulated Compression Screw

- Solid Hexalobular 7 Screw Driver 70 mm
- Solid Hexalobular 10 Screw Driver 70 mm
- Hexalobular 7 Canulated Driver 70 mm
- Hexalobular 10 Canulated Driver 70 mm
- Drill for Compression Screw 2,2
- Drill for Compression Screw 3,0
- Perforation Guide 2,2
- Perforation Guide 3,0
- Compression Screw Countersink 2,2
- Compression Screw Countersink 3,0
- Adson Forceps
- Verbrugge Forceps
- Quick Coupler Handle 4,5 mm
- Quick Coupler Mandril
- Periosteal Elevator
- Perforation Restrictor
- Depth Marker 40 mm
- Sterilization Case



Razek MM Cannulated Compression Screw Models Description

Description	Dimensions		
	Diameter	Total Length	Distal Thread Length
Razek MM Cannulated Compression Screw - Short Distal Thread D2,2 - 10 x 4	2,2 mm	10 mm	4 mm
Razek MM Cannulated Compression Screw - Short Distal Thread D2,2 - 11 x 5	2,2 mm	11 mm	5 mm
Razek MM Cannulated Compression Screw - Short Distal Thread D2,2 - 12 x 5	2,2 mm	12 mm	5 mm
Razek MM Cannulated Compression Screw - Short Distal Thread D2,2 - 13 x 5	2,2 mm	13 mm	5 mm
Razek MM Cannulated Compression Screw - Short Distal Thread D2,2 - 14 x 5	2,2 mm	14 mm	5 mm
Razek MM Cannulated Compression Screw - Short Distal Thread D2,2 - 15 x 5	2,2 mm	15 mm	5 mm
Razek MM Cannulated Compression Screw - Short Distal Thread D2,2 - 16 x 5	2,2 mm	16 mm	5 mm
Razek MM Cannulated Compression Screw - Short Distal Thread D2,2 - 17 x 5	2,2 mm	17 mm	5 mm
Razek MM Cannulated Compression Screw - Short Distal Thread D2,2 - 18 x 5	2,2 mm	18 mm	5 mm
Razek MM Cannulated Compression Screw - Short Distal Thread D2,2 - 19 x 5	2,2 mm	19 mm	5 mm
Razek MM Cannulated Compression Screw - Short Distal Thread D2,2 - 20 x 5	2,2 mm	20 mm	5 mm
Razek MM Cannulated Compression Screw - Short Distal Thread D2,2 - 21 x 5	2,2 mm	21 mm	5 mm
Razek MM Cannulated Compression Screw - Short Distal Thread D2,2 - 22 x 5	2,2 mm	22 mm	5 mm
Razek MM Cannulated Compression Screw - Short Distal Thread D2,2 - 23 x 6	2,2 mm	23 mm	6 mm
Razek MM Cannulated Compression Screw - Short Distal Thread D2,2 - 24 x 6	2,2 mm	24 mm	6 mm
Razek MM Cannulated Compression Screw - Short Distal Thread D2,2 - 25 x 6	2,2 mm	25 mm	6 mm
Razek MM Cannulated Compression Screw - Short Distal Thread D2,2 - 26 x 6	2,2 mm	26 mm	6 mm
Razek MM Cannulated Compression Screw - Short Distal Thread D2,2 - 27 x 6	2,2 mm	27 mm	6 mm
Razek MM Cannulated Compression Screw - Short Distal Thread D2,2 - 28 x 6	2,2 mm	28 mm	6 mm
Razek MM Cannulated Compression Screw - Short Distal Thread D2,2 - 29 x 6	2,2 mm	29 mm	6 mm
Razek MM Cannulated Compression Screw - Short Distal Thread D2,2 - 30 x 6	2,2 mm	30 mm	6 mm
Razek MM Cannulated Compression Screw - Long Distal Thread D2,2 - 22 x 8	2,2 mm	22 mm	8 mm
Razek MM Cannulated Compression Screw - Long Distal Thread D2,2 - 24 x 8	2,2 mm	24 mm	8 mm
Razek MM Cannulated Compression Screw - Long Distal Thread D2,2 - 26 x 8	2,2 mm	26 mm	8 mm
Razek MM Cannulated Compression Screw - Long Distal Thread D2,2 - 28 x 9	2,2 mm	28 mm	9 mm
Razek MM Cannulated Compression Screw - Long Distal Thread D2,2 - 30 x 10	2,2 mm	30 mm	10 mm
Razek MM Cannulated Compression Screw - Long Distal Thread D2,2 - 32 x 11	2,2 mm	32 mm	11 mm
Razek MM Cannulated Compression Screw - Long Distal Thread D2,2 - 34 x 12	2,2 mm	34 mm	12 mm
Razek MM Cannulated Compression Screw - Long Distal Thread D2,2 - 36 x 13	2,2 mm	36 mm	13 mm
Razek MM Cannulated Compression Screw - Long Distal Thread D2,2 - 38 x 14	2,2 mm	38 mm	14 mm
Razek MM Cannulated Compression Screw - Long Distal Thread D2,2 - 40 x 15	2,2 mm	40 mm	15 mm

Razek PG Cannulated Compression Screw Models Description

Description	Dimensions		
	Diameter	Total Length	Distal Thread Length
Razek PG Cannulated Compression Screw - Short Distal Thread D3,0 - 10 x 3,5	3,0 mm	10 mm	3,5 mm
Razek PG Cannulated Compression Screw - Short Distal Thread D3,0 - 11 x 4,5	3,0 mm	11 mm	4,5 mm
Razek PG Cannulated Compression Screw - Short Distal Thread D3,0 - 12 x 5	3,0 mm	12 mm	5 mm
Razek PG Cannulated Compression Screw - Short Distal Thread D3,0 - 13 x 5	3,0 mm	13 mm	5 mm
Razek PG Cannulated Compression Screw - Short Distal Thread D3,0 - 14 x 5	3,0 mm	14 mm	5 mm
Razek PG Cannulated Compression Screw - Short Distal Thread D3,0 - 15 x 5	3,0 mm	15 mm	5 mm
Razek PG Cannulated Compression Screw - Short Distal Thread D3,0 - 16 x 5	3,0 mm	16 mm	5 mm
Razek PG Cannulated Compression Screw - Short Distal Thread D3,0 - 17 x 5	3,0 mm	17 mm	5 mm
Razek PG Cannulated Compression Screw - Short Distal Thread D3,0 - 18 x 5	3,0 mm	18 mm	5 mm
Razek PG Cannulated Compression Screw - Short Distal Thread D3,0 - 19 x 5	3,0 mm	19 mm	5 mm
Razek PG Cannulated Compression Screw - Short Distal Thread D3,0 - 20 x 5	3,0 mm	20 mm	5 mm
Razek PG Cannulated Compression Screw - Short Distal Thread D3,0 - 21 x 5	3,0 mm	21 mm	5 mm
Razek PG Cannulated Compression Screw - Short Distal Thread D3,0 - 22 x 5	3,0 mm	22 mm	5 mm
Razek PG Cannulated Compression Screw - Short Distal Thread D3,0 - 23 x 5	3,0 mm	23 mm	5 mm
Razek PG Cannulated Compression Screw - Short Distal Thread D3,0 - 24 x 6	3,0 mm	24 mm	6 mm
Razek PG Cannulated Compression Screw - Short Distal Thread D3,0 - 25 x 6	3,0 mm	25 mm	6 mm
Razek PG Cannulated Compression Screw - Short Distal Thread D3,0 - 26 x 6	3,0 mm	26 mm	6 mm
Razek PG Cannulated Compression Screw - Short Distal Thread D3,0 - 27 x 6	3,0 mm	27 mm	6 mm
Razek PG Cannulated Compression Screw - Short Distal Thread D3,0 - 28 x 6	3,0 mm	28 mm	6 mm
Razek PG Cannulated Compression Screw - Short Distal Thread D3,0 - 29 x 6	3,0 mm	29 mm	6 mm
Razek PG Cannulated Compression Screw - Short Distal Thread D3,0 - 30 x 6	3,0 mm	30 mm	6 mm
Razek PG Cannulated Compression Screw - Short Distal Thread D3,0 - 32 x 6	3,0 mm	32 mm	6 mm
Razek PG Cannulated Compression Screw - Short Distal Thread D3,0 - 34 x 7	3,0 mm	34 mm	7 mm
Razek PG Cannulated Compression Screw - Short Distal Thread D3,0 - 36 x 7	3,0 mm	36 mm	7 mm
Razek PG Cannulated Compression Screw - Short Distal Thread D3,0 - 38 x 8	3,0 mm	38 mm	8 mm
Razek PG Cannulated Compression Screw - Short Distal Thread D3,0 - 40 x 8	3,0 mm	40 mm	8 mm
Razek PG Cannulated Compression Screw - Long Distal Thread D3,0 - 26 x 8	3,0 mm	26 mm	8 mm
Razek PG Cannulated Compression Screw - Long Distal Thread D3,0 - 28 x 9	3,0 mm	28 mm	9 mm
Razek PG Cannulated Compression Screw - Long Distal Thread D3,0 - 30 x 10	3,0 mm	30 mm	10 mm
Razek PG Cannulated Compression Screw - Long Distal Thread D3,0 - 32 x 11	3,0 mm	32 mm	11 mm
Razek PG Cannulated Compression Screw - Long Distal Thread D3,0 - 34 x 12	3,0 mm	34 mm	12 mm
Razek PG Cannulated Compression Screw - Long Distal Thread D3,0 - 36 x 13	3,0 mm	36 mm	13 mm
Razek PG Cannulated Compression Screw - Long Distal Thread D3,0 - 38 x 14	3,0 mm	38 mm	14 mm
Razek PG Cannulated Compression Screw - Long Distal Thread D3,0 - 40 x 15	3,0 mm	40 mm	15 mm

RAZEK SNAP OFF SCREW

The Razek Snap Off Screw family comprises osteosynthesis screws that have rigid fixture and non-absorbable characteristics. The screws have a system that breaks at the end of insertion. They are used in fractures with small fragments.

Images are for illustration only



Description	Dimensions	
	Diameter	Length
Razek Snap Off Screw D2,0 X 11,5 mm	2,0 mm	11,5 mm
Razek Snap Off Screw D2,0 X 12,5 mm	2,0 mm	12,5 mm
Razek Snap Off Screw D2,0 X 13,5 mm	2,0 mm	13,5 mm
Razek Snap Off Screw D2,7 X 13,5 mm	2,7 mm	13,5 mm
Razek Snap Off Screw D2,7 X 15,5 mm	2,7 mm	15,5 mm
Razek Snap Off Screw D2,7 X 17,5 mm	2,7 mm	17,5 mm

Instrument Kit for Razek Snap Off Screw

- Adson Forceps
- Verbrugge Forceps
- Metatarsal Elevator
- Quick Hitch Key
- Tip for Snap Off Screws
- Tip for Snap Off Screws Chuck fitting
- Depth Marker
- Sterilization Case



RZ WIREGUIDE

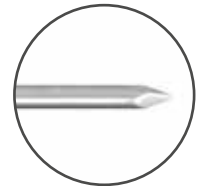
The RZ Wireguide has the function of guiding the instruments through the access portal.

Technical Specifications

Images are for illustration only

Models

- RZ Wireguide Trocar Tip
- RZ Wireguide Double Trocar Tip
- RZ Wireguide Double Diamond Tip
- RZ Wireguide Drill Tip
- RZ Wireguide Calibrated
- RZ Wireguide Rigid Diamond Tip
- RZ Wireguide Rigid Drill Tip
- RZ Wireguide Needle Drill Tip



Trocar Tip

RZ Wireguide

AGGRESSIVE CANNULA FOR ANKLE IMPINGEMENT

Used in the microdebridation of bone tissues in surgical procedures of the foot.

Images are for illustration only



AIO - Aggressive Osseous Impact



Sockets



R

A

F

T

L

E

P

W

K

J

TCASys

It allows autologous cartilage transplantation (Mosaicplasty), in which osteochondral grafts are removed from a healthy place to be transferred to an area requiring grafting.



Technical Specifications

- Sterilization: gamma ray
- Sterilization expires in: 3 years
- Single-use product

Images are for illustration only

Models

- TCASys 4
It has \varnothing 4 mm and must be used in lesions smaller than 4 mm diameter
- TCASys 6
It has \varnothing 6 mm and must be used in lesions smaller than 6 mm diameter
- TCASys 8
It has \varnothing 8 mm and must be used in lesions smaller than 8 mm diameter
- TCASys 10
It has \varnothing 10 mm and must be used in lesions smaller than 10 mm diameter

PERCUTANEOUS FOOT SURGERY SYSTEM

The Power C Straight Drill, along with the Burrs for Percutaneous Foot Surgery and the RZ System Foot Deviation Instrumental Set, are minimally invasive devices for percutaneous foot surgery.



Power C Straight Drill



Razek Scalpel Blade



GB Curette



GC Curette



PB Curette



PC Curette

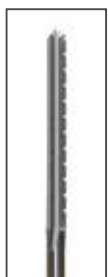
Models - Burrs for Percutaneous Foot Surgery



SHA65 (2,0)



SHL65 (2,0)



SHL80 (2,5)



SHS65 (2,2)



WED65 (2,9)



WEG65 (4,3)



SHN65 (2,2)

Sockets



F



H

Technical Specifications - Power C Straight Drill

- Power socket system
- Maximum speed: 30.000 rpm

Images are for illustration only

Simulation of Percutaneous Surgery for Hallux Valgus Treatment



RAZEK UPPER DISTRACTION HOOK

The Razek Upper Distraction Hook is a device intended to assist in tissue retraction, according to the needs during surgical procedures.

Models

- Razek Upper Distraction Hook 20X20X5 - 2
This model contains 2 hook units 20x20x5 mm with a cord 250 mm
- Razek Upper Distraction Hook 20X20X5 - 4
This model contains 4 hook units 20x20x5 mm with a cord 250 mm
- Razek Upper Distraction Hook 30X30X8 - 2
This model contains 2 hook units 30x30x8 mm with a cord 250 mm
- Razek Upper Distraction Hook 30X30X8 - 4
This model contains 4 hook units 30x30x8 mm with a cord 250 mm
- Razek Upper Distraction Hook 40X30X12 - 2
This model contains 2 hook units 40x30x12 mm with a cord 350 mm
- Razek Upper Distraction Hook 40X30X12 - 4
This model contains 4 hook units 40x30x12 mm with a cord 350 mm
- Razek Upper Distraction Hook 50X40X15 - 2
This model contains 2 hook units 50x40x15 mm with a cord 350 mm
- Razek Upper Distraction Hook 50X40X15 - 4
This model contains 4 hook units 50x40x15 mm with a cord 350 mm

Images are for illustration only



RAZEK FULL PRO

Razek Full Pro is intended to perforate, insert pins and rods, cut bones, among others. This equipment, together with its accessories, allows the use of drills with Hudson plug (Reamer), drill bits (Chuck) or Kirschen/Steinmann wire (Wire Pass).



Technical Specifications

- Minimum speed: 100 rpm
- Maximum speed: 1.000 rpm
- Cannulated up to 4 mm

Images are for illustration only

- Accessories: Reamer 14:1A (AO)
Reamer 14:1 (HUDSON)
Pro Chuck 10
Chuck 6A (AO)
Chuck 10A (AO)
Chuck 6H (HUDSON)
Chuck 10H (HUDSON)
Wire Pass

RAZEK FORCE

The Razek Force is used mainly to perforate and insert pins and rods. The Razek Force is a pneumatic device.



Technical Specifications

- Minimum speed: 400 rpm
- Maximum speed: 800 rpm
- Cannulated up to 4 mm
- Socket: type AO
- Autoclavable
- Chuck capacity: 0 - 4,0 mm
- Required pressure: 80 - 120 psi or 5,5 - 8,3 Kg/cm²
- Required flow: 340 L/min or 12 cubic feet/min

- Type of gas: N₂ or dry compressed air
- Handpiece weight: 1,3 kg (with mandrel)
- Accessories: sterilization case (optional)
chuck and chuck key
pressure regulator
lubricant (optional)

Images are for illustration only

OSTEOMAX

Osteomax is a machine suitable for microshaving of tissue and bone thinning in general. It has a Micro Electric Motor, which must be used with the Power Micro Saws, Power C Drills and Razek Mini Drill. It also allows the connection a Shaver Handpiece, that must be used in arthroscopic procedures.



Technical Specifications

- Voltage: 100 - 240 V~, 50/60 Hz

Images are for illustration only

Micro Motor

- Direct and reverse modes
- Minimum speed: 2.000 rpm
- Maximum speed: 45.000 rpm

Handpiece

- Speed (oscillating mode)
 - Min.: 500 rpm and max.: 3.000 rpm
- Speed (direct and reverse modes)
 - Min.: 500 rpm and max.: 8.000 rpm

Segurança



Equipment certified by INMETRO

VULCAN

Vulcan is indicated for bone cuts, perforations, insertions and bone thinning in general. It has a Micro Electric Motor, which is used with the Power Micro Saws, Power C Drills and Razek Mini Drill.



Mini Drill
Razek Power

Segurança



Equipment certified by INMETRO

Technical Specifications

- Voltage: 90 - 240 V~
- Images are for illustration only

Micro Motor

- Direct and reverse modes
- Minimum speed: 2.000 rpm
- Maximum speed: 45.000 rpm

DRILLS POWER C and POWER MICRO SAWS

The Drills Power C, Micro Saws Power and the Punch Handpiece 90° are used in conjunction with the Micro Motor. The 90° Punch Handpiece can also be used with the Power Turbine.

Images are for illustration only



Power Micro Saws

- Power socket system
- It must be used along with Razek Micro Saw Blades

Power C Drills

- Power socket system
- It must be used along with Razek Surgical Drills or Razek Diamond Burrs

Punch Handpiece 90°

- Power socket system
- It must be used along with Razek Surgical Drills or RZ Wireguide
- Cannulation Ø 2,5 mm



RAZEK SURGICAL BURRS and RAZEK DIAMOND BURRS

• BRD Models

Round Drills intended for bone cutting and mild finishing.

Handle Length: 44,5 - 55 - 70 - 95 - 125 - 150 - 180 (mm)

Socket: R - H - T - J - O - S - A - L - D - U - X

Drill Diameter: 0,6 - 0,7 - 0,8 - 1,0 - 1,4 - 1,8 - 2,3 - 2,7 - 3,1 - 3,5 - 4,0 - 4,5 - 5,0 - 6,0 - 7,0 (mm)



• BCR Models

Quick cutting round Drills intended to remove bone in large amounts.

Handle Length: 44,5 - 55 - 70 - 115 - 150 - 180 (mm)

Socket: R - H - T - J - O - S - A - L - D - U - X

Drill Diameter: 1,0 - 1,4 - 1,8 - 2,3 - 2,7 - 3,1 - 3,5 - 4,0 - 4,5 - 5,0 - 6,0 - 7,0 (mm)



• RAZ Models

Lateral bone cutting drills.

Handle Length: 44,5 - 55 - 70 - 95 - 115 - 125 - 150 - 180 (mm)

Socket: R - H - T - J - O - S - A - L - D - U - X

Drill Diameter: 1,5 - 1,8 - 2,1 - 2,5 (mm)



• FRL Models

Laminated Drills for bone smoothing.

Handle Length: 44,5 - 55 - 70 - 95 - 125 - 150 - 180 (mm)

Socket: R - H - T - J - O - S - A - L - D - U - X

Drill Diameter: 5,0 - 7,0 (mm)



• BCL Models

Lateral bone cutting drills.

Handle Length: 44,5 - 55 - 70 - 95 - 125 - 150 - 180 (mm)

Socket: R - H - T - J - O - S - A - L - D - U - X

Drill Diameter: 2,1 (mm)



• FAD Models

Drills for extensive bone scraping.

Handle Length: 44,5 - 55 - 70 - 95 - 125 - 150 - 180 (mm)

Socket: R - H - T - J - O - S - A - L - D - U - X

Drill Diameter: 5,0 - 7,0 (mm)



• ENT Models

Cone-shaped drill used to smooth orifices.

Handle Length: 44,5 - 55 - 70 - 95 - 150 - 180 (mm)

Socket: R - H - T - J - O - S - A - L - D - U - X

Drill Diameter: 4,0 - 4,5 - 6,0 (mm)



• BCCS44R Models

Drill used in craniotomy, lateral bone cutting.

Handle Length: 44 (mm)

Drill Diameter: 2,3 (mm)



• BP Models

Drills to perforate bone for subsequent insertion of plates and screws.

Handle Length: 44,5 - 55 - 70 - 95 - 110 - 115 - 120 - 125 - 150 - 155 - 180 (mm)

Socket: R - H - T - J - O - S - A - L - D - U - X

Drill Diameter: 0,9 - 1,0 - 1,1 - 1,2 - 1,3 - 1,4 - 1,5 - 1,6 - 1,7 - 1,8 - 1,9 - 2,0 - 2,1 - 2,2 - 2,3 - 2,7 - 3,2 - 3,5 (mm)



• BHC Models

Diamond-shaped drill bits intended for bone smoothing and polishing.

Handle Length: 44,5 - 55 - 70 - 95 - 125 - 150 - 180 (mm)

Socket: R - H - T - J - O - S - A - L - D - U - X

Drill Diameter: 0,6 - 0,7 - 0,8 - 1,0 - 1,4 - 1,5 - 1,8 - 2,0 - 2,3 - 2,5 - 2,7 - 3,0 - 3,1 - 3,5 - 4,0 - 4,5 - 5,0 - 5,5 - 6,0 (mm)



Images are for illustration only

Sockets



R

H

T

J

O

S

A

L

D

U

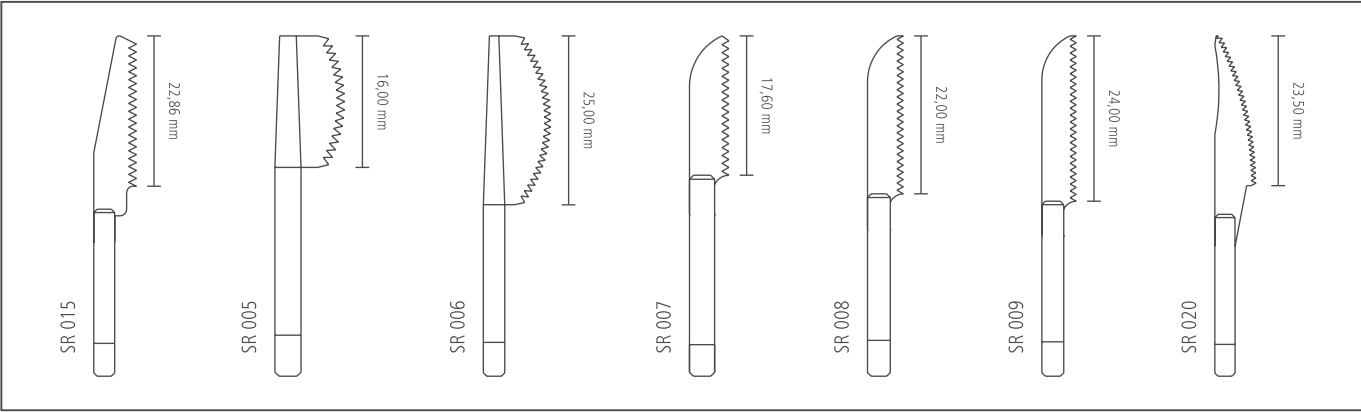
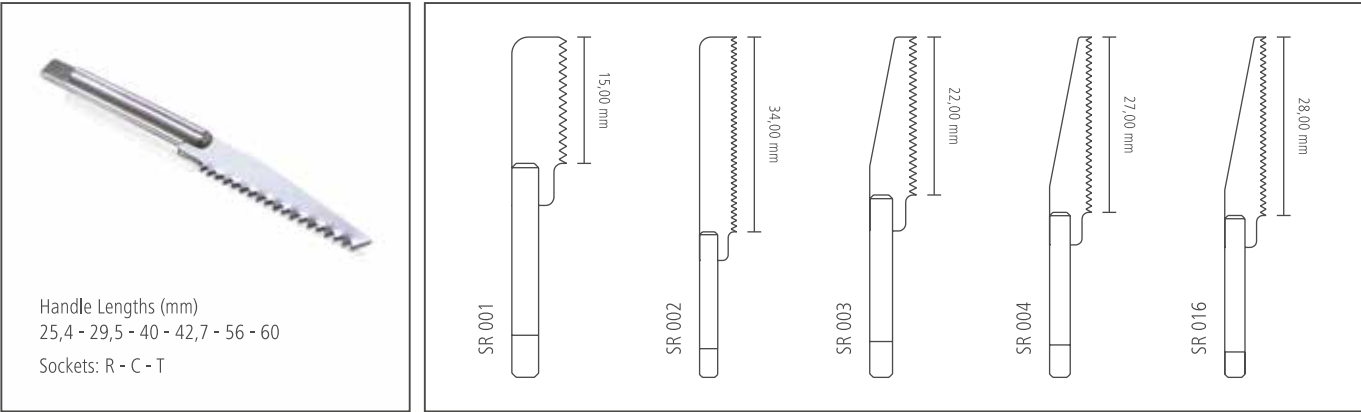
X

E

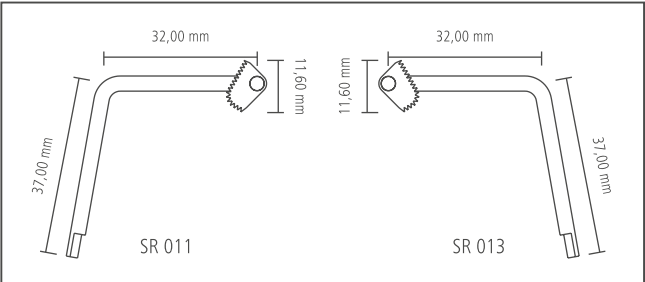
RAZEK MICRO SAW BLADES

The Razek Micro Saw Blades are used in oral maxillofacial surgeries with the Micro Power Saw.

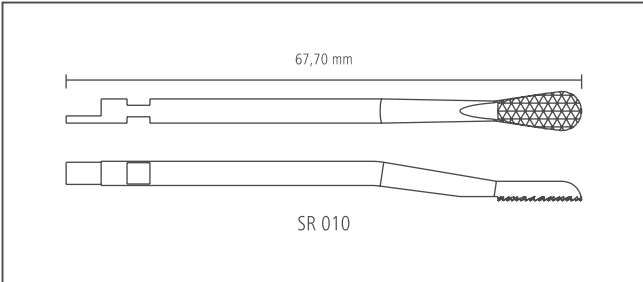
Models SR (Reciprocating)



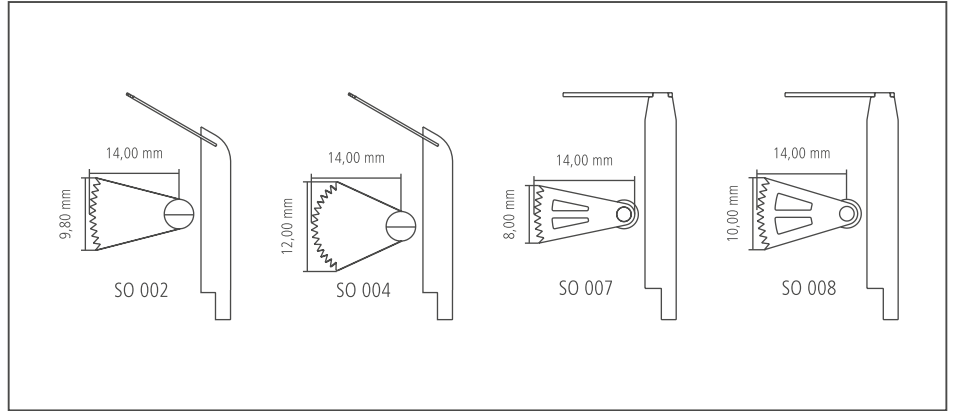
Models SR (Basal)



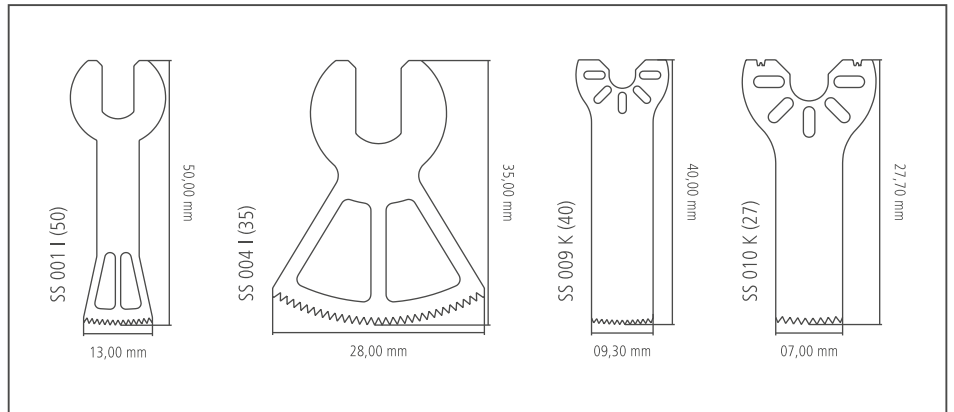
Models SR (Scraper)



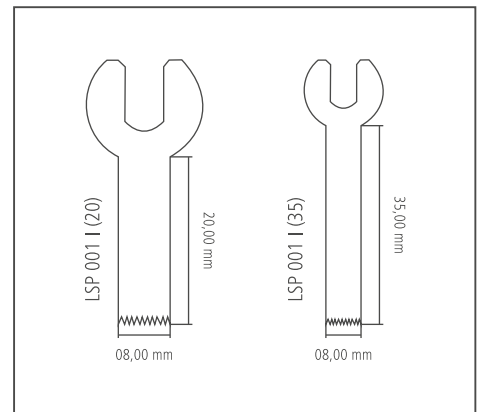
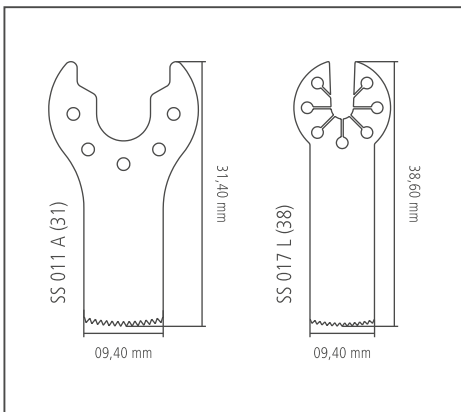
Models SO



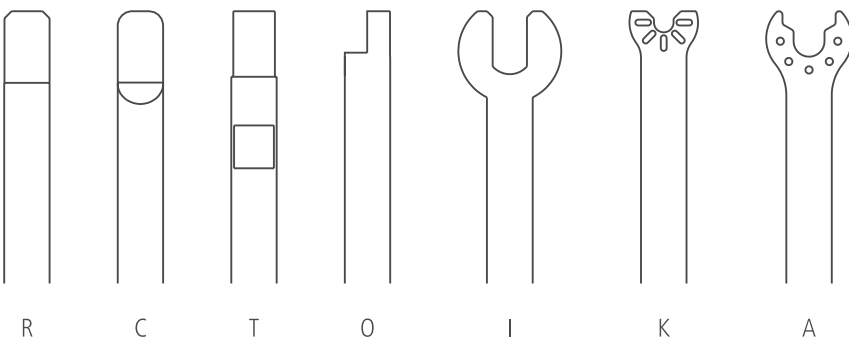
Models SS



Models LSP



Sockets



Technical Specifications

- Sterilization: gamma ray
- Sterilization expires in: 3 years

Images are for illustration only

RZ TUNNELING BURR and RZ TUNNELING BURR INSTRUMENTAL SET

The RZ Tunneling Burr Instrumental Set provides the surgeon with the instruments needed to use the RZ Tunneling Burr. The two products are used jointly in performing transosseous tunnels in the tibia and femur in arthroscopic surgical procedures for reconstruction of the anterior or posterior cruciate ligament of the knee.

Technical Specifications

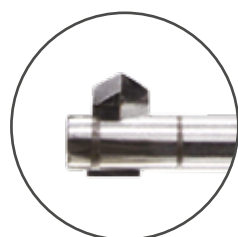
RZ Tunneling Burr Instrumental Set - Instrumentos

- Guide Burr
- Reducer Guide
- Beater Boring RZ Tunelling Burr

RZ Tunneling Burr - Models

- RZ Tunneling Burr 6
- RZ Tunneling Burr 6,5
- RZ Tunneling Burr 7
- RZ Tunneling Burr 7,5
- RZ Tunneling Burr 8
- RZ Tunneling Burr 8,5
- RZ Tunneling Burr 9
- RZ Tunneling Burr 9,5
- RZ Tunneling Burr 10
- RZ Tunneling Burr 10,5
- RZ Tunneling Burr 11
- RZ Tunneling Burr 11,5
- RZ Tunneling Burr 12
- RZ Tunneling Burr 13

Images are for illustration only



INSTRUMENTAL KIT FOR MENISCUS SUTURE

Composed of several instruments that help in the accomplishment of the suture, avoiding the withdrawal of the meniscus. Each item was developed for a specific approach.

Images are for illustration only

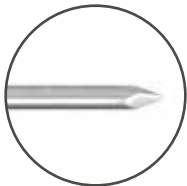


Sterilization Case



Plast Suture Sterile Polyester Braided Suture with Needle

The Polyester Surgical Thread allows an easier passage through tissues, thus causing lesser lesion. Its green color provides good visibility during the surgical procedure. In addition, for being a braid wire, it doesn't loose fragments.

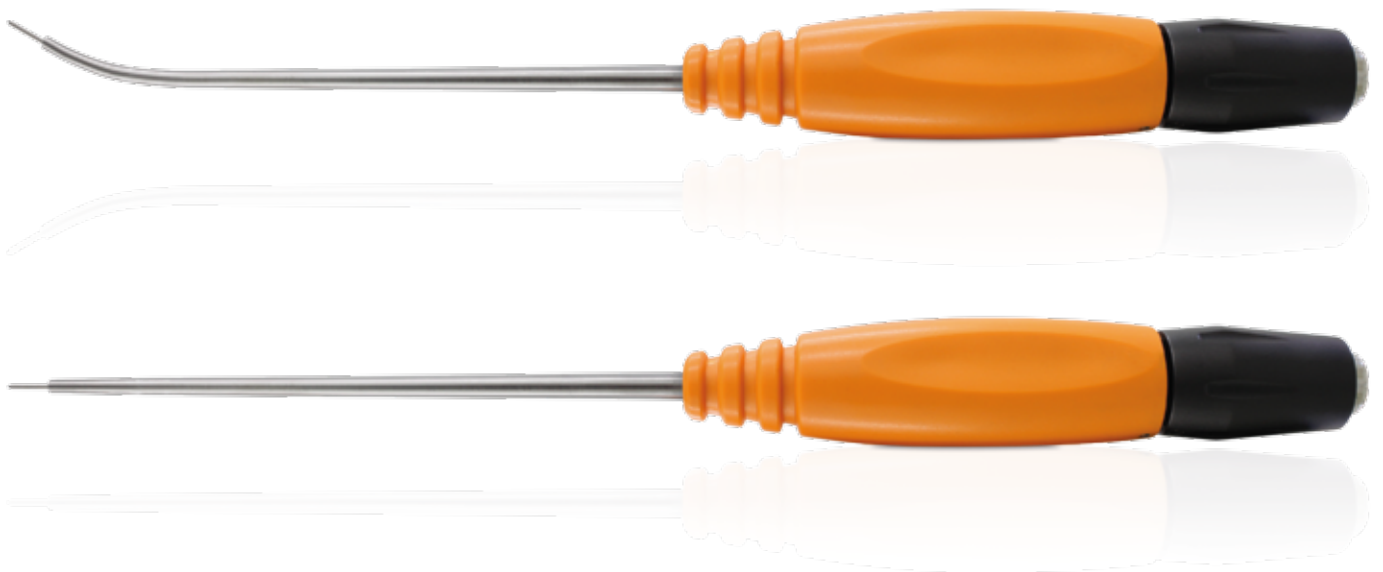


Images are for illustration only

MicroFT

Provides the surgeon with the necessary instrument for the treatment of cartilage lesions in different joints, through the surgical technique of nanofracture.

Promotes perforations of 1 mm in diameter with a depth of up to 9 mm.



Technical Specifications

- Sterilization: gamma ray
- Sterilization expires in: 3 years
- Single-use product

Images are for illustration only

Models

- MicroFT 0°
It has 0° guidewire
- MicroFT 30°
It has 30° guidewire

TFCKit

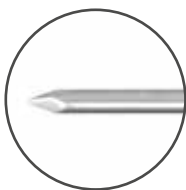
It is equipped with the function of providing the necessary devices to assist in the performance of the Triangular Fibrocartilage Complex (TFCC) suture in minimally invasive surgeries.



Technical Specifications

- Sterilization: gamma ray
- Sterilization expires in: 3 years
- Single-use product

Images are for illustration only





www.razek.com.br
+55 16 2107.2345